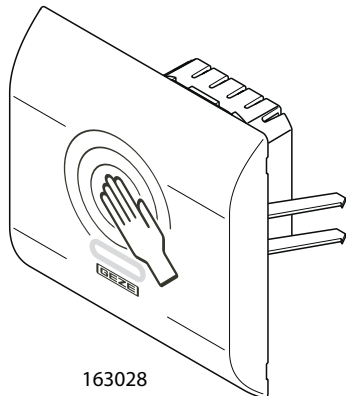


GC 306

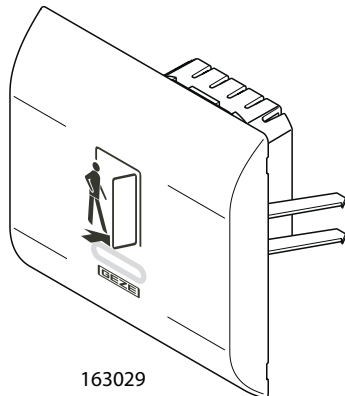


164142-00

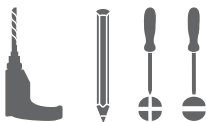
GEZE



163028

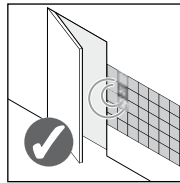
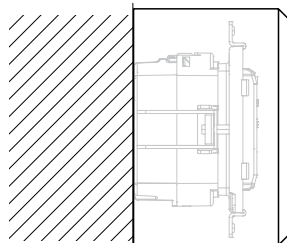


163029

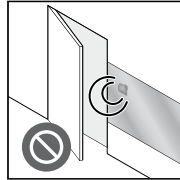


Accessories:

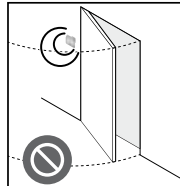
Surface box,
mat. no. 164059



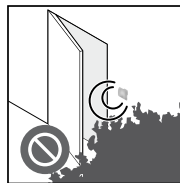
The GC 306 can be installed behind tiles, wood, flush, plastic and glass.



Do not install the GC 306 behind metallic surfaces.



Do not install the GC 306 in the swivelling range of doors.



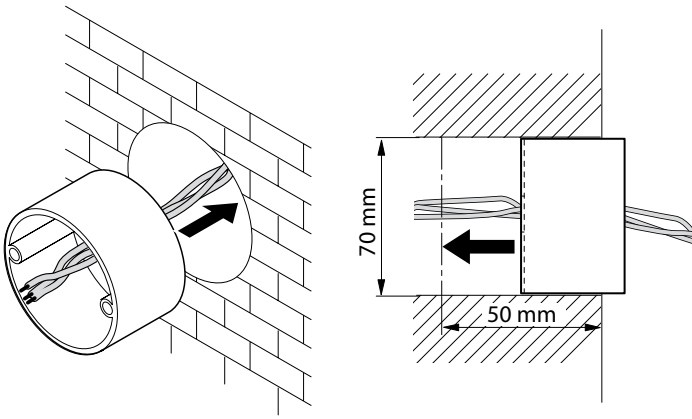
Avoid moving objects near the GC 306.



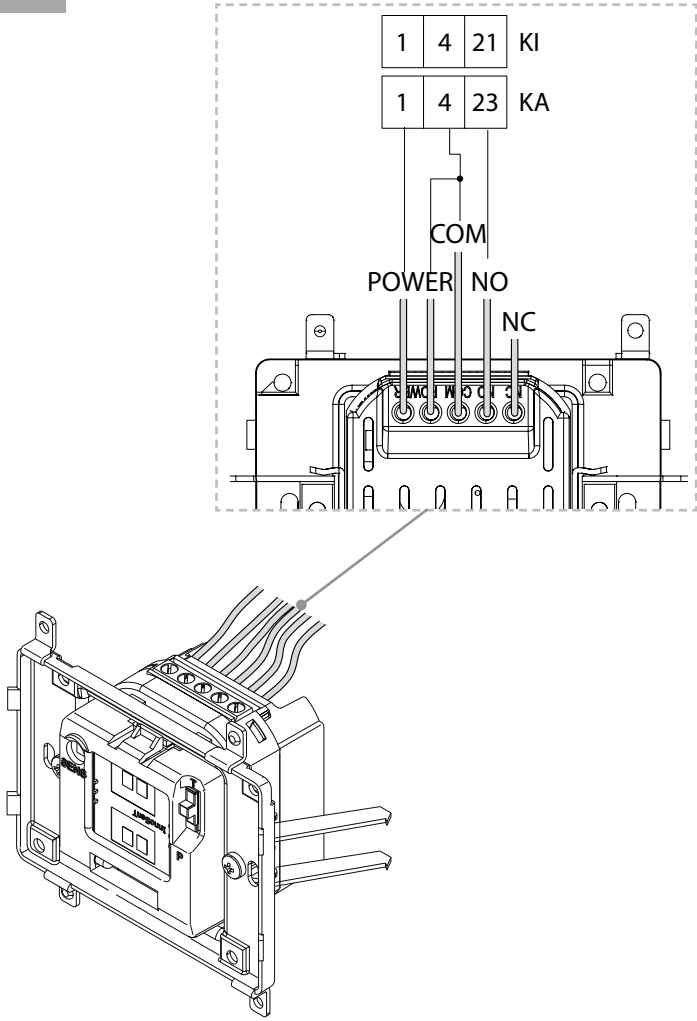
Technology	Radar movement sensor
Frequency	24,150 GHz
Power flux density	< 5 mW/cm ²
Detection range (hand)	±10 ... 50 cm (movement towards sensor, angle 90°), adjustable*
Type of detection	Movement (independent of direction)
Speed of objects for detection	Min. 5 Hz or ±3 cm/s, Max. 200 Hz or ±1.2 m/s
Voltage supply	12–24 V AC ±10 % 12–24 V DC +30 %/–10 %
Mains frequency	50 ... 60 Hz
Power consumption	<1.2 W
Output	Changeover relay (potential-free contact)
▫ Max. contact voltage	48 V AC – 60 V DC
▫ Max. switching current:	1 A (resistive)
▫ Max. switching power	30 W (DC) / 48 VA (AC)
Holding time	0.5 s (in PULSE mode)
Temperature range	-20 °C ... +55 °C
Degree of protection	IP 30 with connected cable IP 40 installed, without front panel IP 52 installed, with front panel and silicone seal installed in surface box
Conformity to standards	R&TTE: 1999/5/EC, EMC: 2004/108/EEC
Material	ABS / PC
Colour	White
Recommended cable	Braided cable up to 16 AWG – 1.5 mm ²

* Adjustment of the detection field < 10 cm is possible, but the detection capacity of the sensor can then no longer be guaranteed.

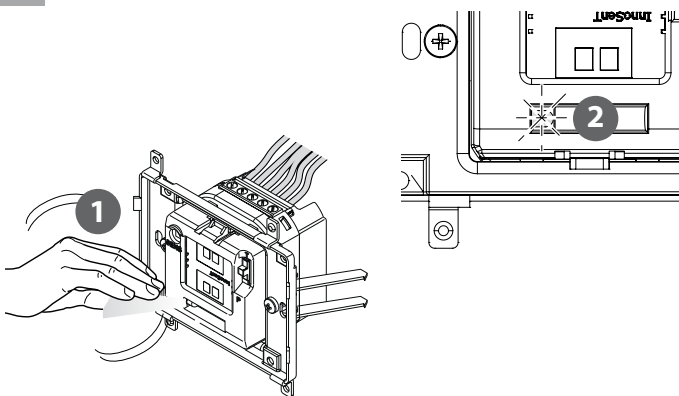
1



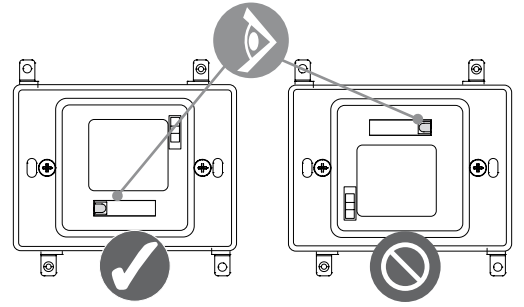
2



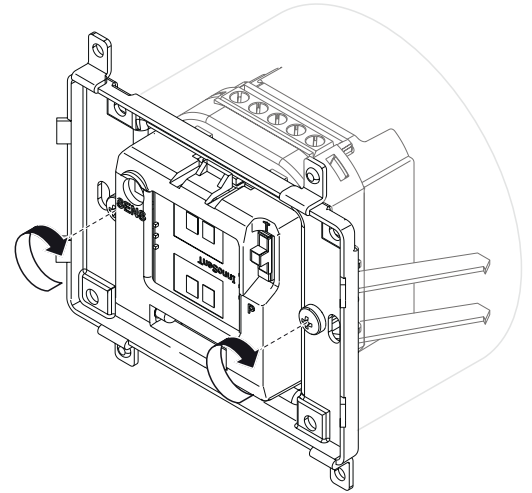
3



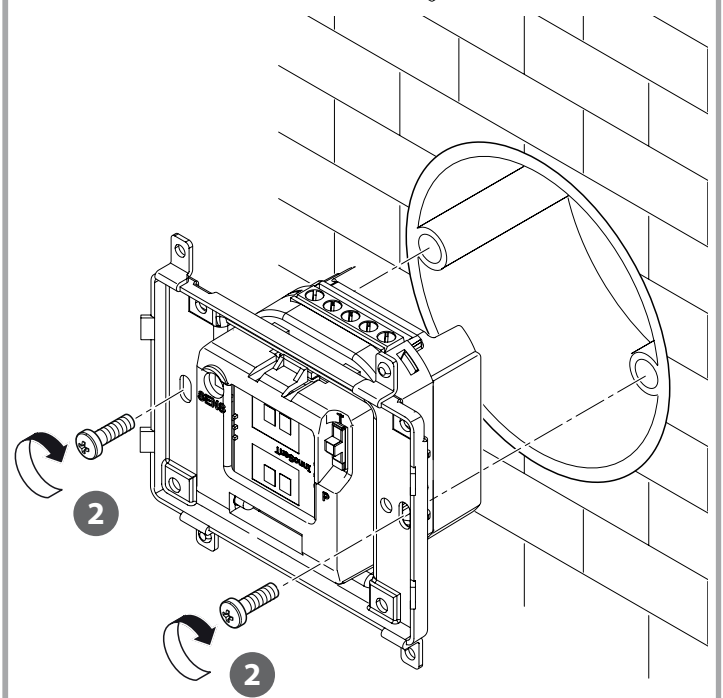
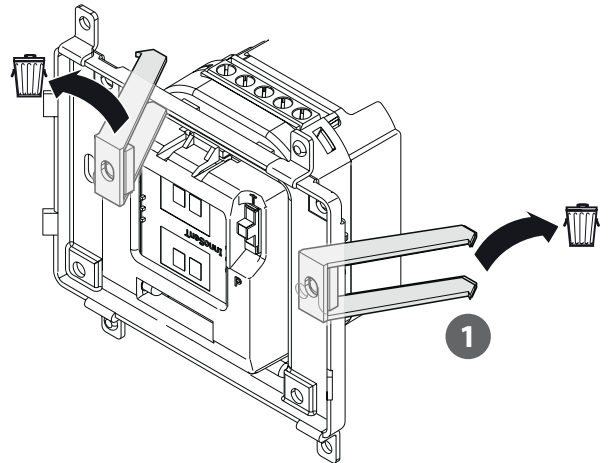
i



4a



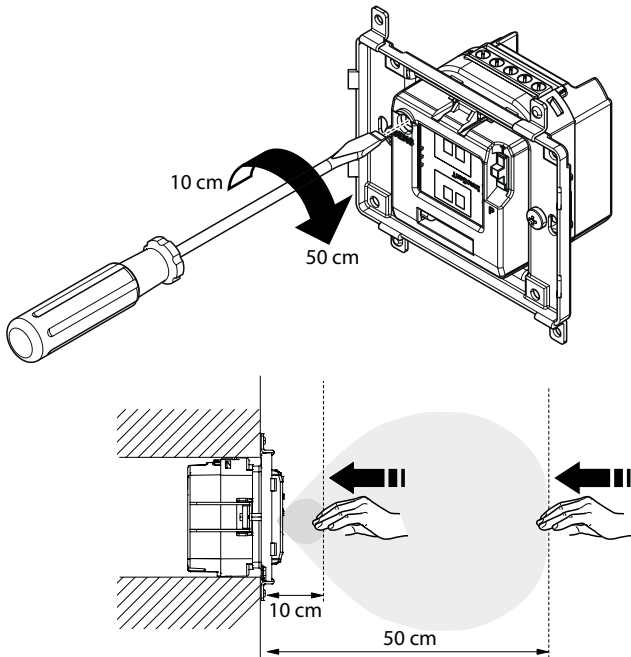
4b



5

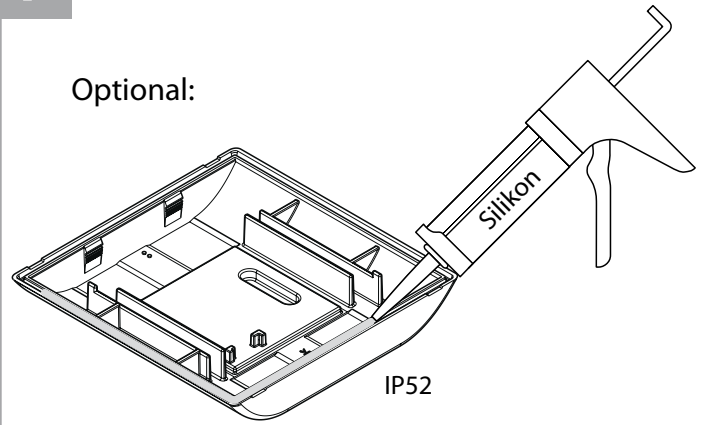
Range

- Adjust according to requirement.
- Depends on the direction of movement, size and material/type of object to be detected.

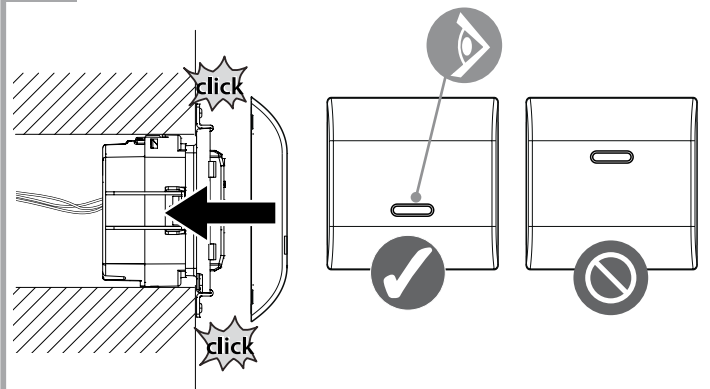


7

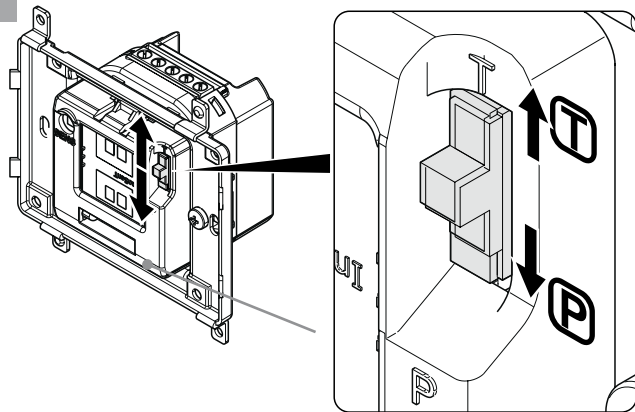
Optional:



8

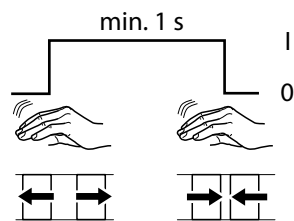


6



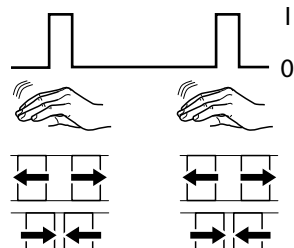
Toggle mode (T)

- Recommended for switch applications.
- The first detection activates the relay output, the next deactivates it.
- With automatic door applications, the door remains open after the first movement detection.

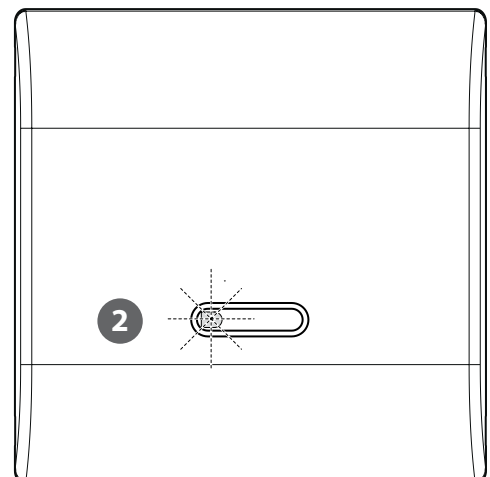
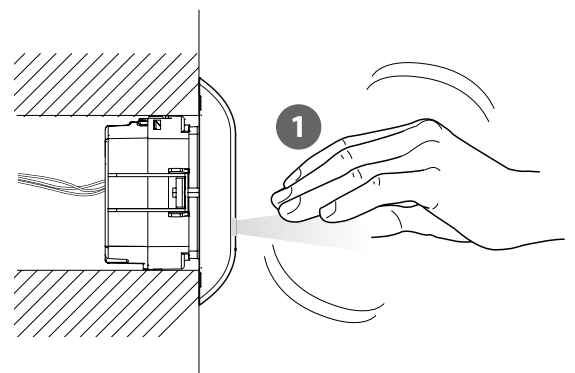


Pulse mode (P)

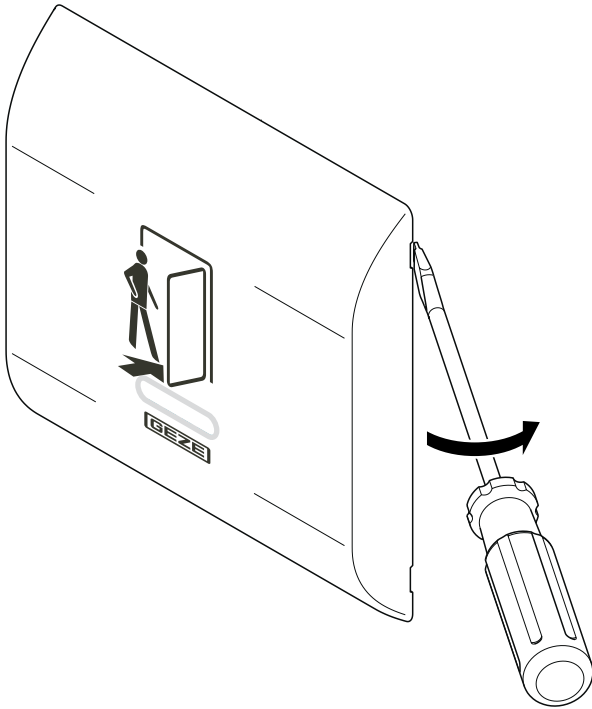
- Recommended for automatic door applications.
- The first detection activates the relay output for a short time (depending on the duration of movement in front of the sensor).



9



To open the GC 306



Troubleshooting

Fault	LED	Possible causes	Elimination
The door does not open.		Faulty or no voltage supply.	▶ Check the voltage supply.
		Range is too small.	▶ Adjust range. ▶ Remove metallic objects in front of the sensor.
		Wired wrong.	▶ Check wiring and relay connection.
The door remains open.		The environment is influencing the functional ability of the sensor.	▶ Remove moving objects from near the sensor.
		Wired wrong.	▶ Check wiring and relay connection.
The door remains open after detection/activation.		Wrong output mode.	▶ Switch the output mode to pulse mode.
		Wired wrong.	▶ Check wiring and relay connection.



LED is lit



LED is not lit